



**7455.2215**

Onderdelen informatie

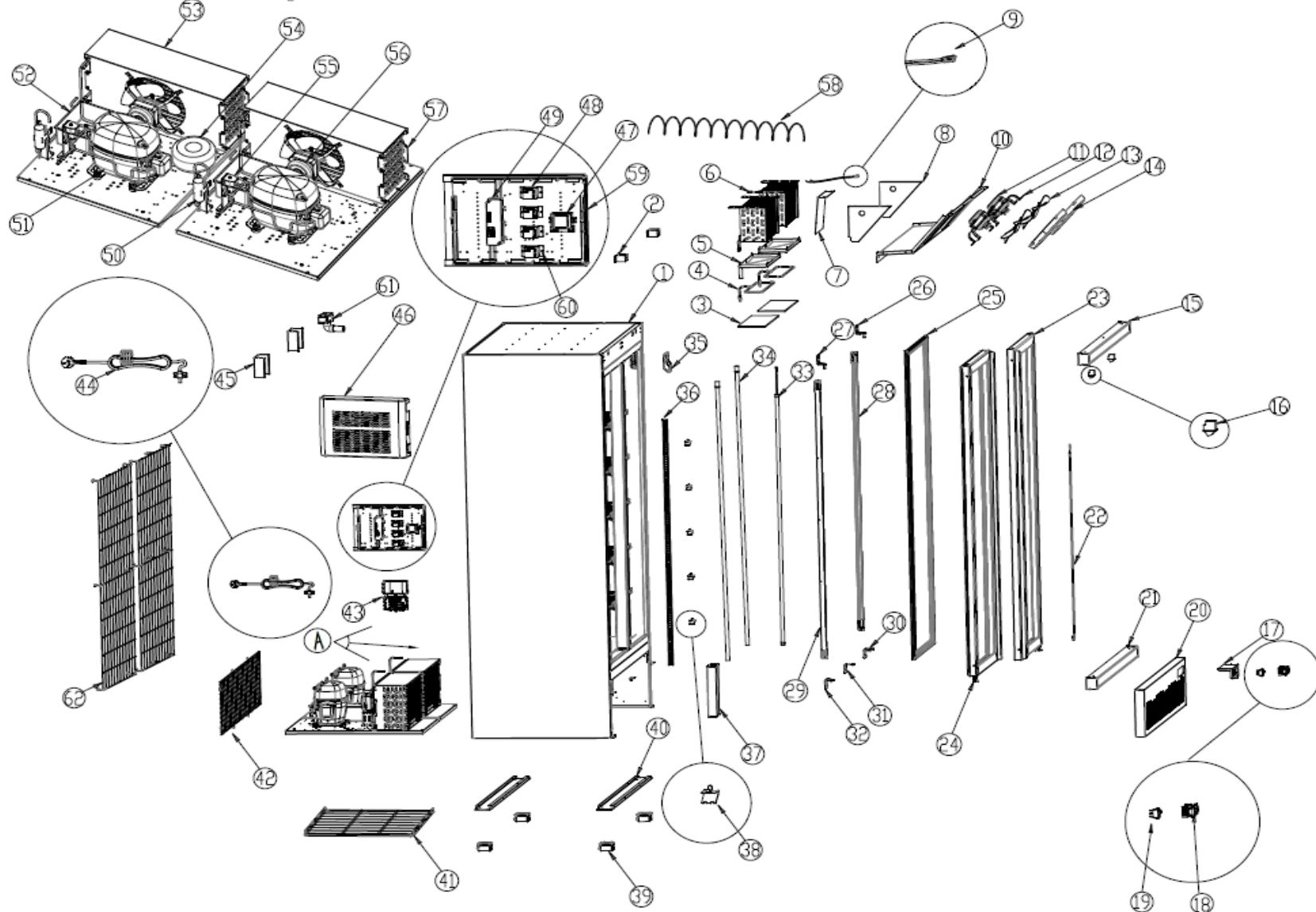
Erzatzteil information

Spare part information

Information de pièces



Looking from direction "A"



## Onderdelenlijst 7455.2215

| POS: | Art.No.:  | Omschrijving:  | Aantal: |
|------|-----------|--|---------|
| 1    |           | Insulate body  | 1       |
| 2    |           | Bracket  | 2       |
| 3    |           | PE adhesive  | 2       |
| 4    | 9338.2322 | Evaporation tube   | 2       |
| 5    |           | Stainless steel water tray 1                               | 2       |
| 6    | 9338.2326 | Evaporator   | 2       |
| 7    |           | Evaporator partition                                       | 1       |
| 8    |           | Evaporator windshield 1                                    | 2       |
| 9    |           | Thermostat probe   | 1       |
| 10   |           | Evaporator fan motor panel                                 | 1       |
| 11   | 9390.1425 | Evaporator fan blade                                       | 2       |
| 12   |           | Evaporator fan motor bracket                               | 16      |
| 13   | 9338.1885 | Evaporator fan blade                                       | 6       |
| 14   |           | Evaporator fan motor cover                                 | 2       |
| 15   |           | Upper Lintel   | 1       |
| 16   |           | Fan switch   | 2       |
| 17   |           | Switch Panel   | 1       |
| 18   | 9338.2324 | Digital controller   | 1       |
| 19   | 9030.0510 | Light Switch   | 1       |
| 20   |           | Front grill  | 1       |
| 21   |           | Bottom Lintel  | 1       |
| 22   |           | Torsion spring   | 2       |
| 23   |           | Right door set   | 1       |
| 24   |           | Left door set  | 1       |
| 25   | 9338.2306 | Door seal  | 2       |
| 26   | 9338.2314 | Upper hinge (right door)                                   | 1       |
| 27   | 9338.2310 | Upper hinge (left door)                                    | 1       |
| 28   | 9338.2264 | LED light right  | 1       |
| 29   | 9338.2260 | LED light left   | 1       |
| 30   | 9338.2316 | Bottom hinge (right door)                                  | 1       |
| 31   |           | Door support   | 1       |
| 32   | 9338.2312 | Bottom hinge (left door)                                   | 1       |
| 33   | 9338.2262 | Middle LED light T5  | 1       |
| 34   |           | Drain pipe   | 2       |
| 35   |           | Beam cover   | 1       |
| 36   |           | k strip  | 8       |
| 37   |           | Rack support   | 2       |
| 38   | 9338.1905 | K clip   | 45      |
| 39   |           | 1" Heavy load casters                                      | 4       |
| 40   |           | Castor plate   | 2       |
| 41   |           | Shelf  | 10      |
| 42   |           | Back mesh  | 1       |
| 43   |           | Wire box set   | 1       |
| 44   |           | Power cable  | 1       |
| 45   |           | Balance valves cover                                       | 2       |
| 46   |           | Junction box cover   | 1       |
| 47   | 9338.2286 | Digital controller transformer ( (inside digital controlle | 1       |

## Onderdelenlijst 7455.2215

| POS: | Art.No.:  | Omschrijving:                     | Aantal: |
|------|-----------|-----------------------------------|---------|
| 48   |           | Relay (inside digital controller) | 3       |
| 49   | 9338.2308 | LED light driver                  | 1       |
| 50   |           | Driver filter                     | 2       |
| 51   |           | Compressor                        | 2       |
| 52   |           | PP water tray                     | 2       |
| 53   |           | Condenser fan motor cover         | 2       |
| 54   |           | Transformer                       | 1       |
| 55   |           | Solenoid valve                    | 2       |
| 56   | 9390.0130 | Condenser fan motor               | 10      |
| 57   | 9338.2252 | Condenser                         | 30      |
| 58   |           | Capillary                         | 10      |
| 59   |           | Junction box                      | 6       |
| 60   |           | Relay (inside digital controller) | 4       |
| 61   |           | Balance valve                     | 5       |
| 62   |           | Internal back mesh                | 6       |